

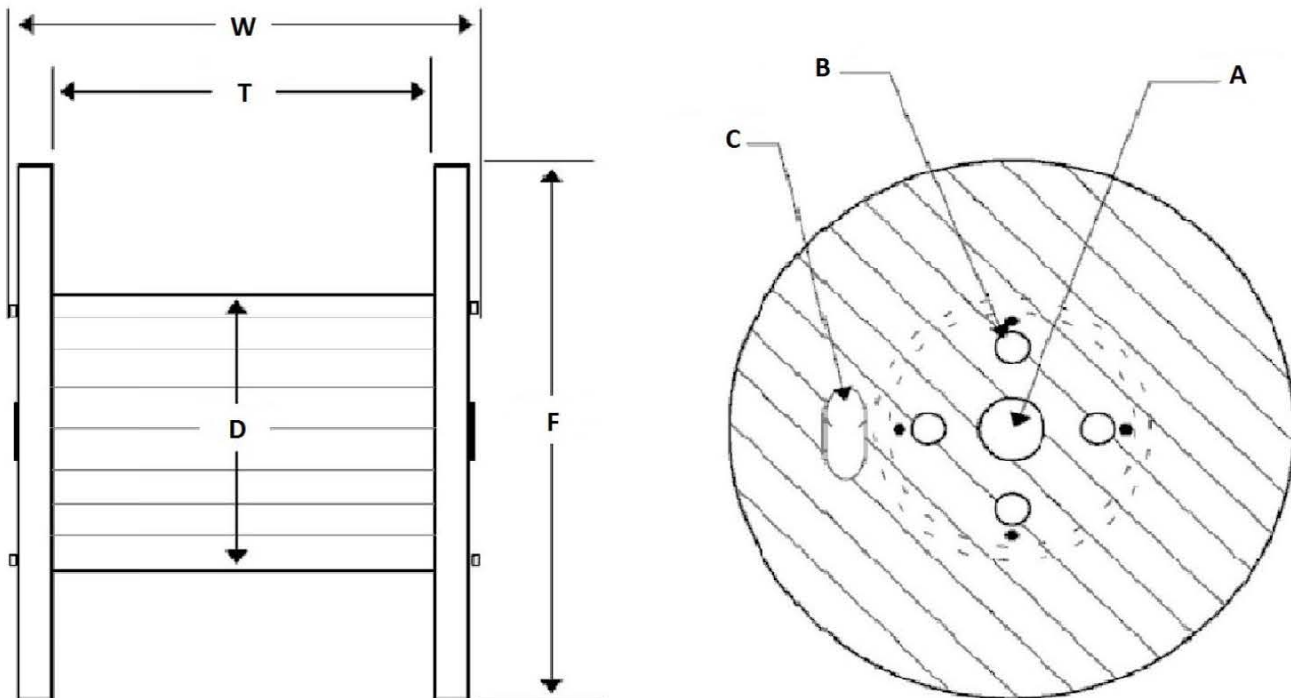
Reel Anatomy

Reels and spools are by far the safest, most reliable and often times the only way to transport long lengths of wire and cable. Reels and their associated packaging are standardized in NEMA WC 26 / EEMAC 201 and are designated by their dimensions: Flange x Inside Traverse x Drum, e.g.: 96x48x56 [in.].

In 2015, in order to properly supply its customers, the Okonite Company purchased over 100,000 wooden reels. Though some reels are larger than others, the capacity of a reel is actually determined as a function of the weight and the diameter of the cable it will carry.

Below is a diagram presenting the important parts of a reel followed by a table of reel dimensions and useful information.

- | | |
|---------------------|--------------------------------------|
| F = Flange | A = Arbor Hole |
| T = Inside Traverse | B = Drive Holes |
| D = Drum Diameter | C = Test Hole in left flange of reel |
| W = Overall Width | |



Reel Dimensions and Capacity

<u>Flange Diameter [in.]</u>	<u>Inside Traverse [in.]</u>	<u>Drum Diameter [in.]</u>	<u>Overall Width [in.]</u>	<u>Reel Weight [lbs.]</u>	<u>Cable Capacity [lbs.]</u>
F	T	D	W	---	----
14	10	5	11.3	5	100
18	10	6	11.5	11	185
24	12	10	15	23	350
24	18	10	21	24	350
27	18	12	21.5	32	700
30	18	12	22	39	950
32	24	14	28	55	1500
36	18	12	22.5	64	1900
36	24	17	28.5	77	2000
37.5	18	10	22.5	68	1250
40	24	17	28	80	1500
40	24	17	28.5	89	2500
42	26	18	30	90	1500
42	26	18	30.5	100	3000
45	28	21	32	106	1500
45	28	21	32.5	116	3500
50	32	24	36.5	143	3000
50	32	24	37.5	177	4800
54	32	26	36.5	164	3000
54	32	26	38	234	6500
58	32	28	36.5	187	3000
58	32	28	38	266	6500
62	34	32	39.5	256	4500
62	34	32	41.5	347	7000
66	32	36	38.5	285	4500
66	32	36	39.5	390	7000
66	36	36	42.5	292	4500
66	36	36	43.5	400	7000
72	36	36	41.5	335	4500
72	36	36	44	559	8000
72	36	40	41.5	343	4500
72	42	36	47.5	385	4500
72	42	36	50	570	8000

Reel Dimensions and Capacity (Continued)

<u>Flange Diameter [in.]</u>	<u>Inside Traverse [in.]</u>	<u>Drum Diameter [in.]</u>	<u>Overall Width [in.]</u>	<u>Reel Weight [lbs.]</u>	<u>Cable Capacity [lbs.]</u>
F	T	D	W	---	----
72	48	36	54.5	397	4500
72	48	36	56	592	8000
76	36	40	41.5	374	4500
76	36	40	44	627	9000
78	36	40	41.5	390	4500
78	36	40	44.5	710	12000
78	48	42	54.5	471	4500
78	48	42	56.5	762	12000
78	48	48	54.5	571	4500
82	42	42	49.5	560	6000
82	42	42	50.5	804	12000
84	54	48	61.5	639	6000
84	54	48	62.5	920	12000
90	45	42	52.5	653	6000
90	45	42	53.5	933	15000
90	54	48	61.5	704	6000
90	54	48	62.5	1022	12000
96	48	48	55.5	758	6000
96	48	48	56.5	1078	15000
96	54	56	61.5	816	6000
96	54	56	62.5	1199	12000
108	60	56	67.5	1809	12000
108	60	56	70.5	1809	15000